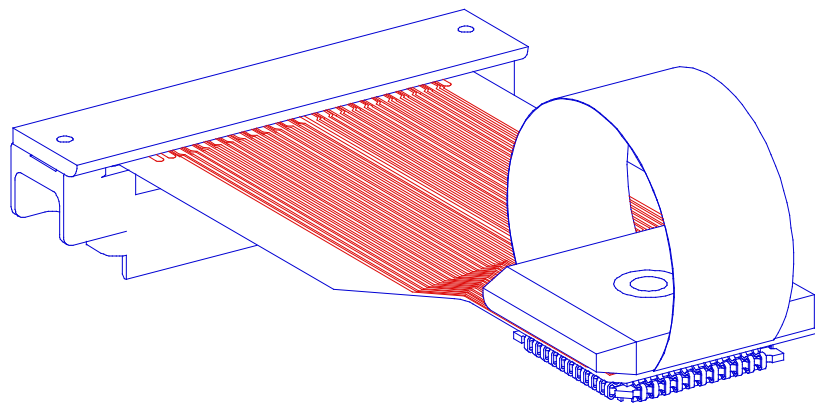


ALP TEX

Probes For Fine Pitch Connections



PLCC FlexProbes
1,27mm (.050") Pitch

PLCC FlexProbes 1,27mm (.050") Pitch

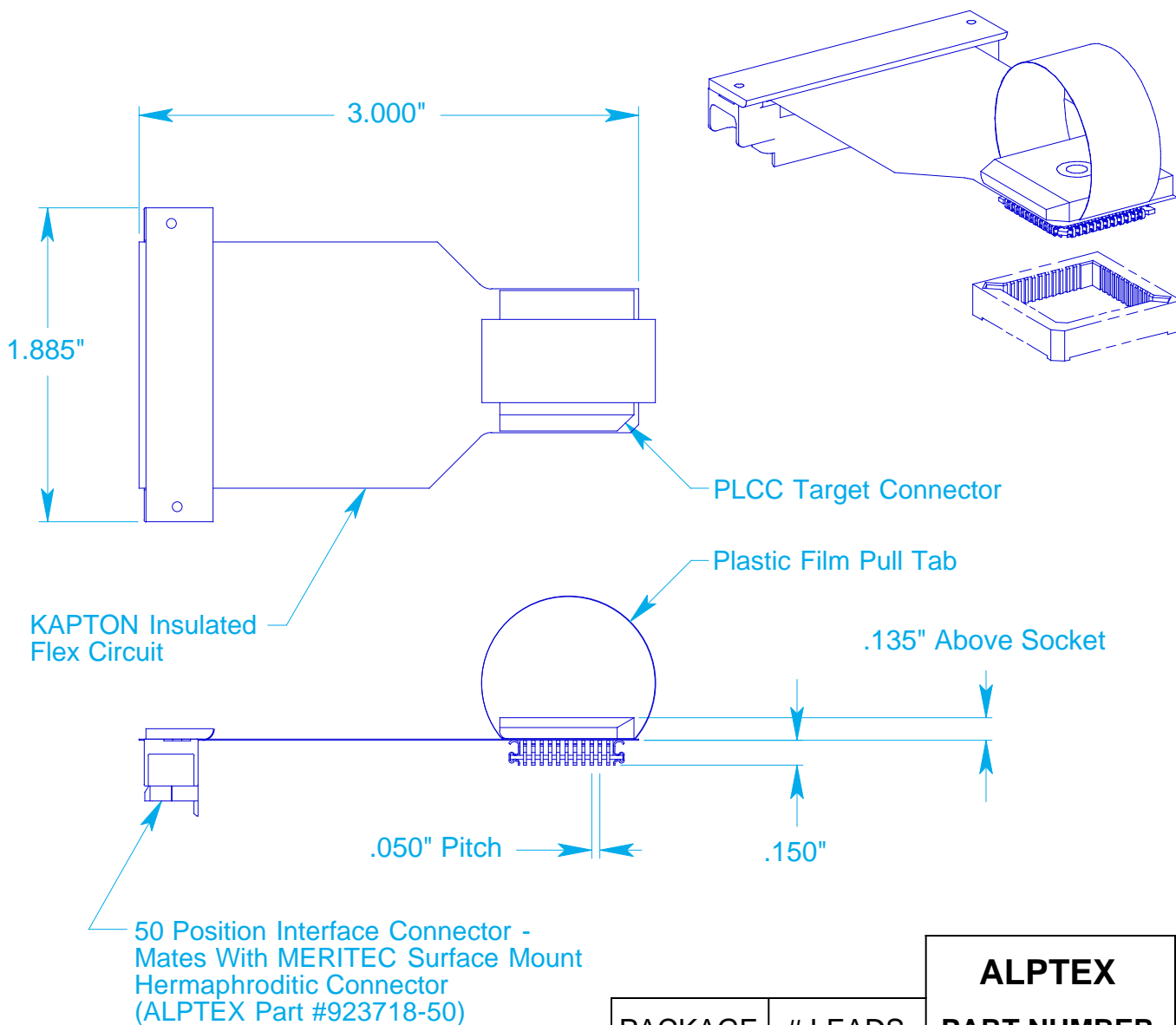
Data/Application Sheets

ALPTEX Part Number	Description
923711	Standard Pinout, "Hermit" Connector, Socket Type, 32/44 Lead
923735	Standard Pinout, "Hermit" Connector, Low Profile Socket Type, 32/44 Lead

.pdf files are also available for the following:

- 0,50mm (.0197") Pitch TSOP FlexProbes...TSOP_FP.pdf
- 0,8mm (.0315") Pitch SSOP FlexProbes...SSOP_FP.pdf
- 1,27mm (.050") Pitch PSOP FlexProbes...PSOP_FP.pdf
- 0,75mm (.0295") Pitch microBGA FlexProbes...mBGA_FP.pdf
- FlexProbe Extenders...EXTENDFP.pdf

PLCC FlexProbe



		ALPTEX
PACKAGE	# LEADS	PART NUMBER
PLCC	28(Rect)*	923711-28*
	32(Sq)	923711-32
	44(Sq)	923711-44

*Consult Factory For Availability

FEATURES:

- THE MOST FLEXIBLE "TARGET" INTERCONNECT AVAILABLE...GREATLY REDUCES PHYSICAL STRAIN ON THE SOCKET.
- SNAPS IN AND REMAINS FIRMLY IN PLACE...SIMPLE PULL TAB EXTRACTION.
- PROVIDES A HIGH-QUALITY CONNECTION WHILE MINIMIZING WEAR ON THE TARGET SOCKET.
- PLCC CONNECTOR MATES WITH VIRTUALLY ALL STANDARD SOCKETS.
- END AND SIDE STACKABLE...ENABLES DENSER SOCKET ARRANGEMENTS.
- LOW PROFILE PERMITS CLOSER BOARD SPACING.
- COMPACT LENGTH VIRTUALLY ELIMINATES CROSSTALK / EMI PROBLEMS.
- MERITEC HERMAPHRODITIC CONNECTOR PROVIDES A DEPENDABLE AND COMPACT INTERFACE FOR YOUR TEST / EMULATION CIRCUITRY.
- MADE ENTIRELY IN THE U.S.A.
- SURFACE MOUNT PLCC CONNECTORS AVAILABLE SEPARATELY.
- FLEXPROBES FOR EMULATING OTHER POPULAR COMPONENT PACKAGES ARE ALSO AVAILABLE...CONSULT FACTORY.

ALL STATEMENTS, SPECIFICATIONS AND TECHNICAL INFORMATION ON THIS DATA SHEET ARE SUBJECT TO CHANGE AT ANY TIME WITHOUT NOTICE.

ALP
TEX Incorporated
P.O. Box 476
Orwell, Ohio 44076
(440)437-5570 • (440)437-5571 FAX
www.alpex.com

CONTENTS

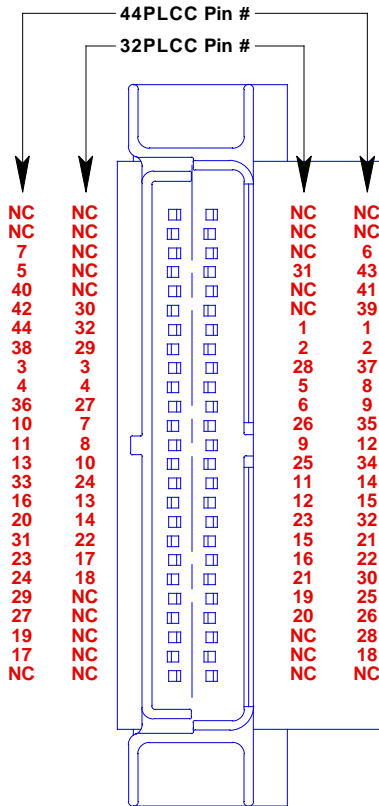
APP DATA

PLCC FlexProbe Application Data

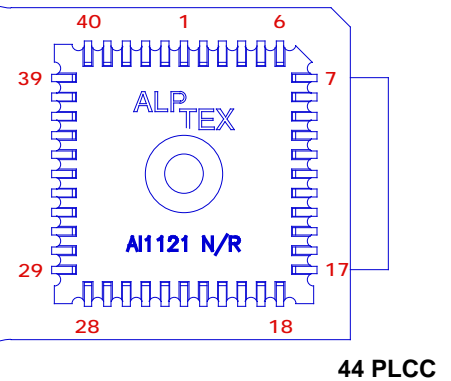
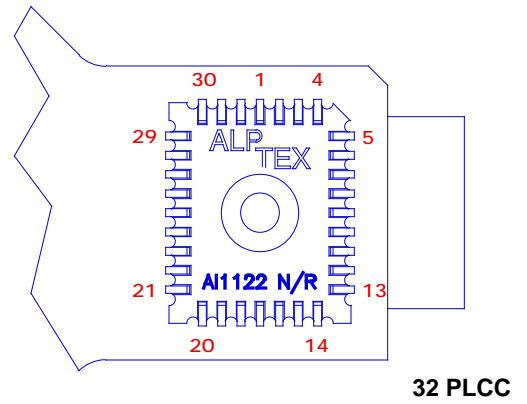
ALPTEx Part Number 923711-XX

CONTENTS

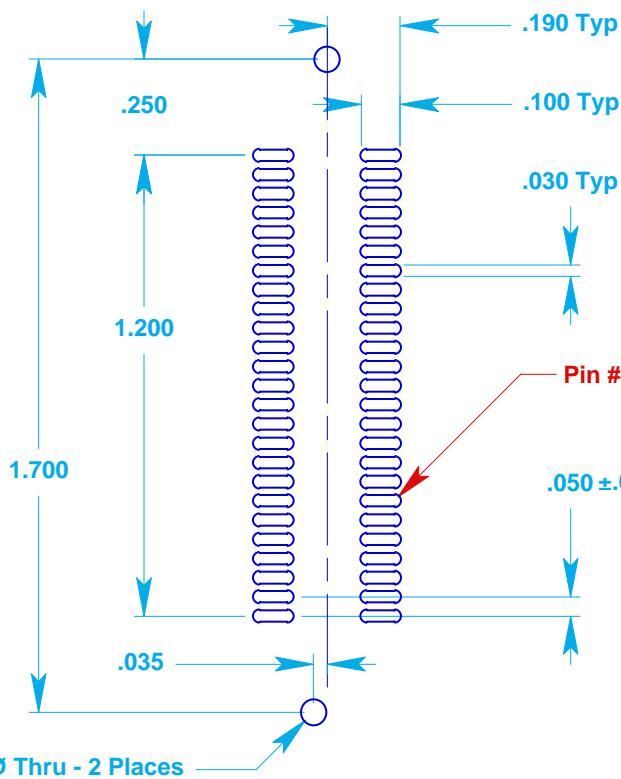
PRODUCT INFO



**FlexProbe Pinout
As Viewed From Bottom
(Interface Connector - Near Side)**



Note: This FlexProbe is designed to mate with PLCC sockets ONLY. It is not intended for use in solder down applications.

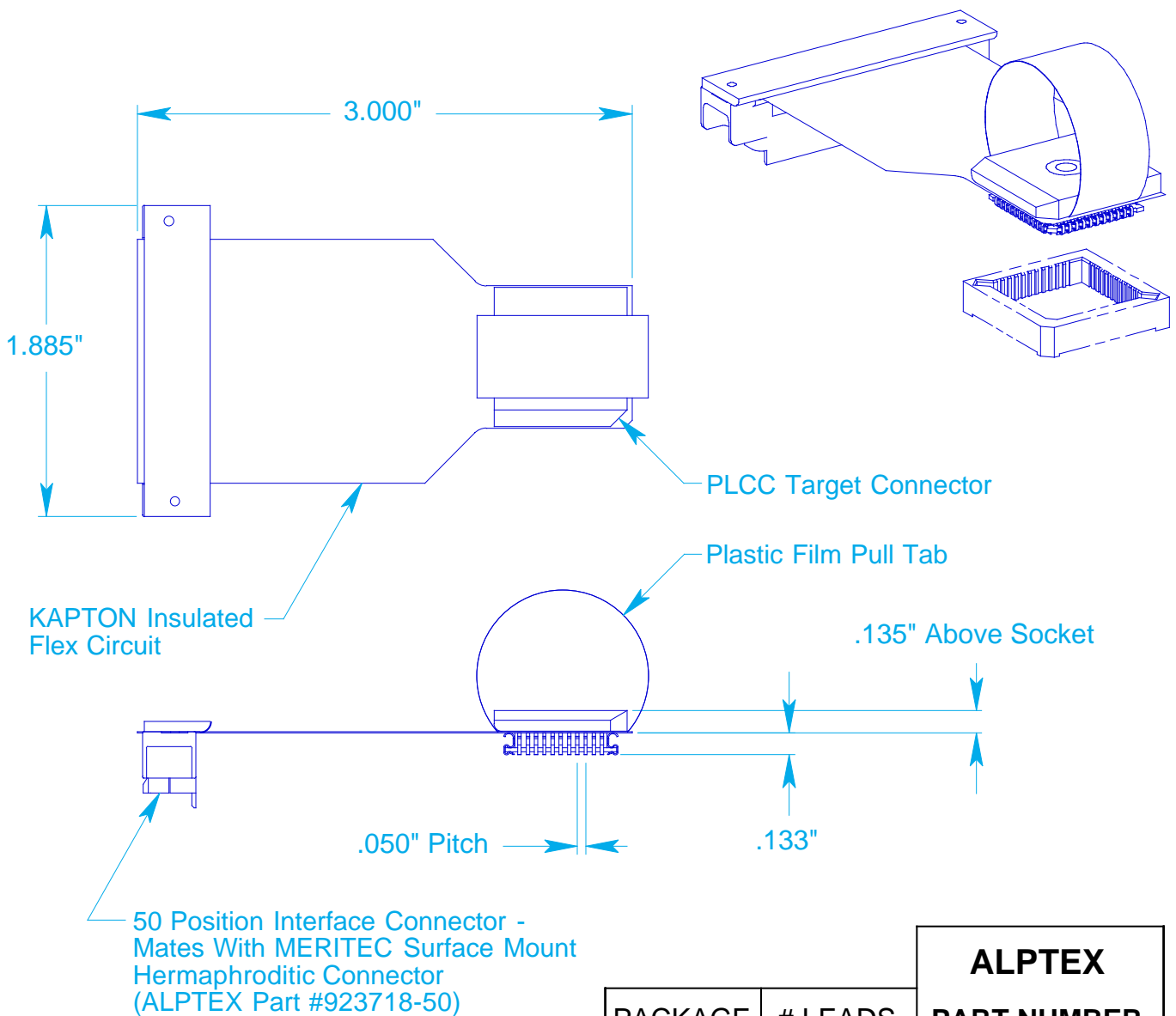


**P C Board Pad Pattern
For Mating MERITEC Connector
ALPTEx Part #923718-50
(Solder Pads - Near Side)**

ALPTEx Incorporated
P.O. Box 476
Orwell, Ohio 44076
(440)437-5570 • (440)437-5571 FAX
www.alptex.com

ALL STATEMENTS, SPECIFICATIONS AND TECHNICAL INFORMATION ON THIS DATA SHEET ARE SUBJECT TO CHANGE AT ANY TIME WITHOUT NOTICE.

Low Profile PLCC FlexProbe



FEATURES:

- THE MOST FLEXIBLE "TARGET" INTERCONNECT AVAILABLE...GREATLY REDUCES PHYSICAL STRAIN ON THE SOCKET.
- SNAPS IN AND REMAINS FIRMLY IN PLACE...SIMPLE PULL TAB EXTRACTION.
- PROVIDES A HIGH-QUALITY CONNECTION WHILE MINIMIZING WEAR ON THE TARGET SOCKET.
- LOW PROFILE PLCC CONNECTOR MATES WITH VIRTUALLY ALL LOW PROFILE SOCKETS.
- END AND SIDE STACKABLE...ENABLES DENSER SOCKET ARRANGEMENTS.
- LOW PROFILE PERMITS CLOSER BOARD SPACING.
- COMPACT LENGTH VIRTUALLY ELIMINATES CROSSTALK / EMI PROBLEMS.
- MERITEC HERMAPHRODITIC CONNECTOR PROVIDES A DEPENDABLE AND COMPACT INTERFACE FOR YOUR TEST / EMULATION CIRCUITRY.
- MADE ENTIRELY IN THE U.S.A.
- SURFACE MOUNT LOW PROFILE PLCC CONNECTORS AVAILABLE SEPERATLY.
- FLEXPROBES FOR EMULATING OTHER POPULAR COMPONENT PACKAGES ARE ALSO AVAILABLE...CONSULT FACTORY.

*Consult Factory For Availability

ALL STATEMENTS, SPECIFICATIONS AND TECHNICAL INFORMATION ON THIS DATA SHEET ARE SUBJECT TO CHANGE AT ANY TIME WITHOUT NOTICE.

KAPTON is a Trademark of Du Pont

MERITEC is a Tradename of Associated Enterprises

© Copyright ALPTEX, Inc. 1996

ALP
TEX Incorporated
P.O. Box 476
Orwell, Ohio 44076
(440)437-5570 • (440)437-5571 FAX
www.alptex.com

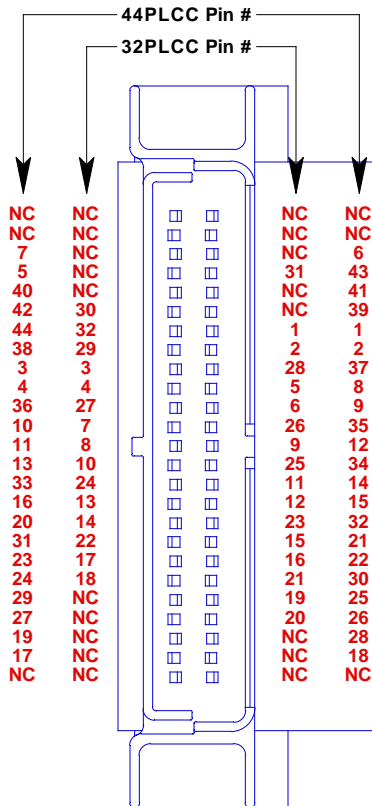
923735-XX.041598A

C
O
N
T
E
N
T
S

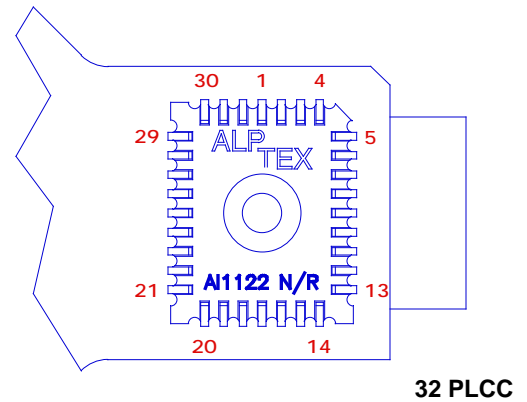
A
P
P
D
A
T
A

Low Profile PLCC FlexProbe Application Data

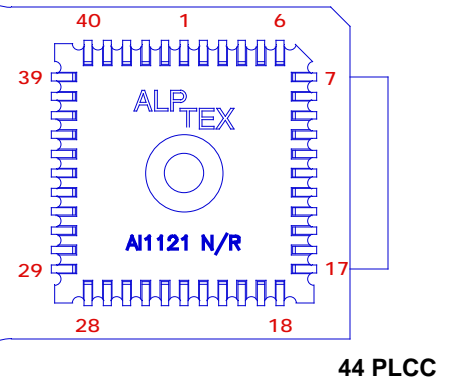
ALPTEX Part Number 923735-XX



**FlexProbe Pinout
As Viewed From Bottom
(Interface Connector - Near Side)**

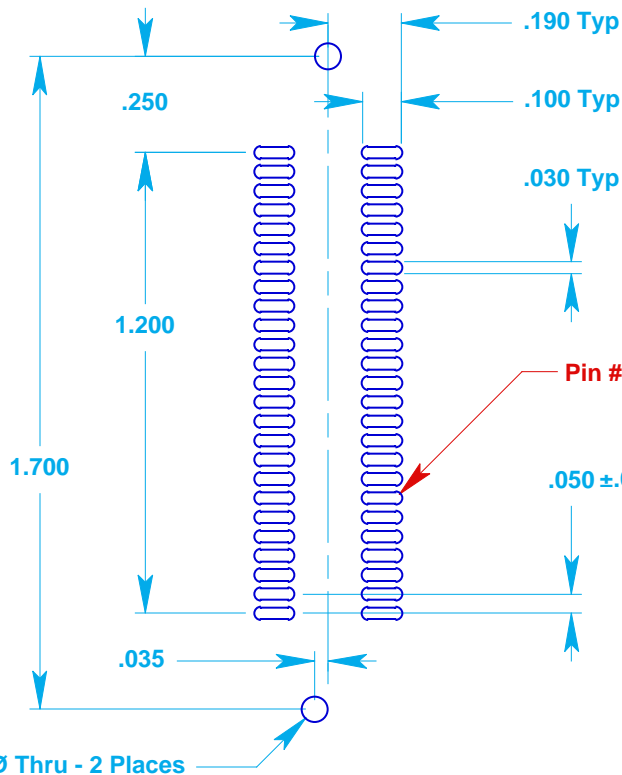


32 PLCC



44 PLCC

Note: This FlexProbe is designed to mate with Low Profile PLCC sockets ONLY. It is not intended for use in solder down applications.



**P C Board Pad Pattern
For Mating MERITEC Connector
ALPTEX Part #923718-50
(Solder Pads - Near Side)**

**ALP
TEX** Incorporated
P.O. Box 476
Orwell, Ohio 44076
(440)437-5570 • (440)437-5571 FAX
www.alptex.com

ALL STATEMENTS, SPECIFICATIONS AND TECHNICAL INFORMATION ON THIS DATA SHEET ARE SUBJECT TO CHANGE AT ANY TIME WITHOUT NOTICE.